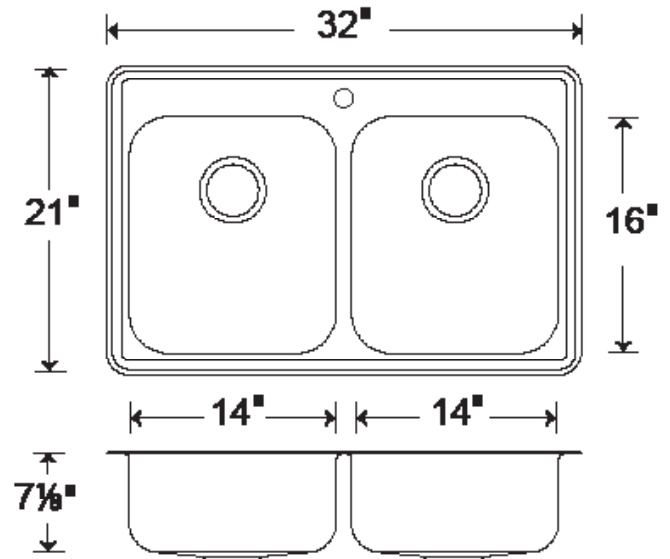




JR601D7

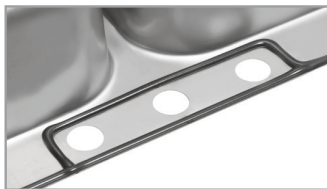
Double Bowl Top Mount Kitchen Sink



Features

- 21" x 32" x 7" deep
- Mirror Finish
- Raised Rim
- 20 gauge stainless steel
- Minimum Cabinet Width: 33" (84 cm)
- Hole Drilling: 1, 3, 4 and custom
- Template Included

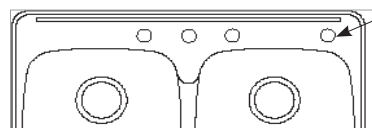
SynkSeal™



Novanni has developed a unique formed-in-place foam gasket installed in our factory. This anti-microbial, anti-fungal material saves the installer valuable time during installation. This foam gasket guards against potential water damage to the countertop.

Special Hole Drillings

Where indicated, several drop-in models can accommodate a special hole drilling. This will be indicated by an "X" on the back end of the model number. For an alternate hole drilling, a diagram



indicating the exact hole position is required. Custom hole drilling orders are not returnable.

Stainless Steel Strainer



Wessan sinks with a 3½" drain opening include an all-metal stainless steel strainer. The distinctive Wessan crumb cup features a two-step feature that allows the cup to be raised to allow water to drain then be easily pushed down to seal the drain completely.

Off-the-bowl clips for ease of installation.



In keeping with our policy of continuing product improvement, Novanni Stainless Inc. reserves the right to change product specifications without notice.

Novanni Stainless Inc. 2978 Southorn Rd., PO Box 189, Coldwater, ON L0K 1E0
Tel: 1-800-661-1795 Fax: 1-800-361-2176 www.novanni.ca

