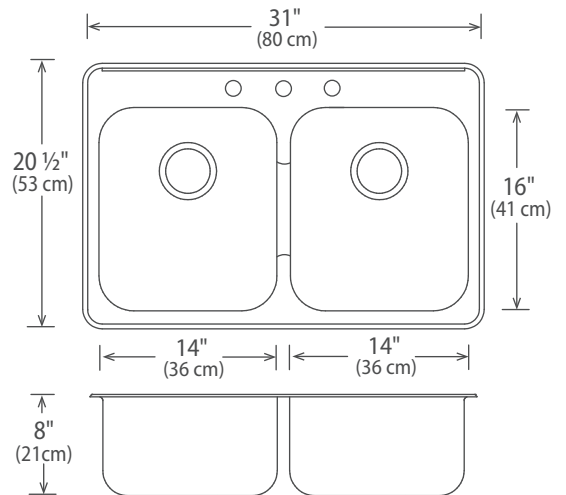


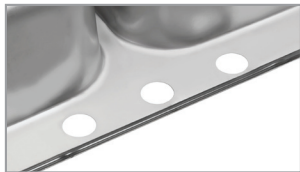


Features

- Mirror Deck Finish
- 18 gauge
- 20 1/2" x 31" x 7", 8" (shown) or 9"
- Minimum Cabinet Size: 33" (84 cm)
- Sound Deadening Pads
- Waterfall partition
- Available hole drillings: 1, 3, 4 and custom



SynkSeal™



Novanni has developed a unique formed in place foam gasket installed in our factory. This anti-microbial, anti-fungal material saves the installer valuable time during installation. This foam gasket guards against potential water damage to the countertop.

Off-the-bowl clips for ease of installation.



All Novanni Elite sinks with a 3 1/2" drain opening include an all metal stainless steel strainer. The distinctive Novanni crumb cup with snowflake pattern features a conical design with a superior tight seal. A metal tailpiece is included.



Novanni Elite sinks have less tapered corners on the sink bottom to allow for more usable space.